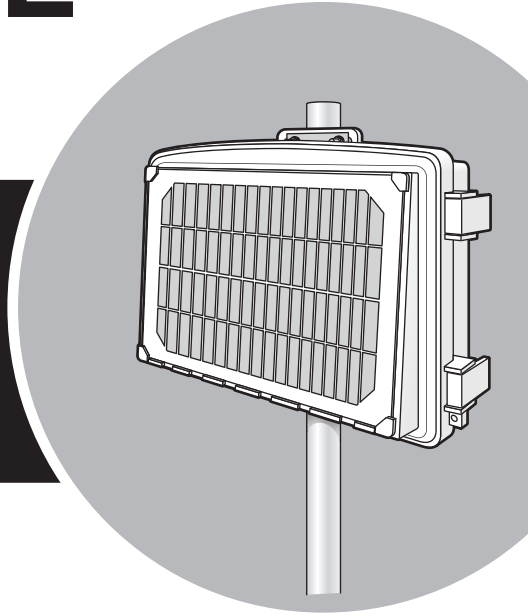


USER MANUAL

Extra Solar Panel Kit



Product Number 6616

DAVIS ®

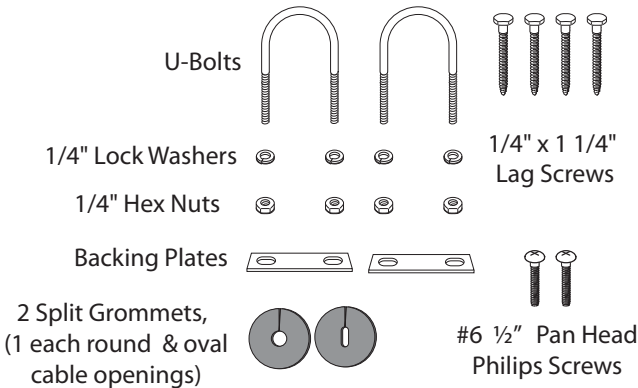
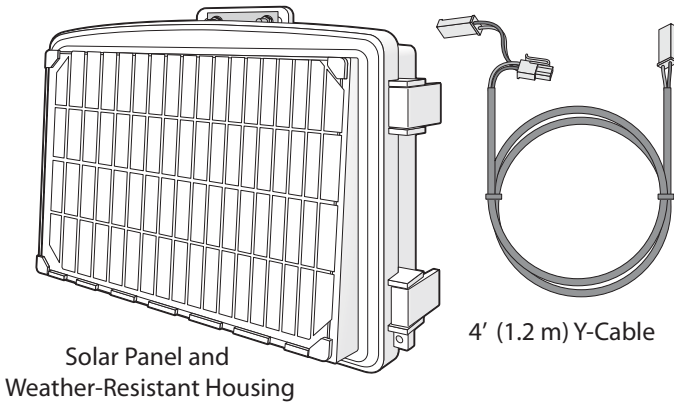
Davis Instruments, 3465 Diablo Avenue, Hayward, CA 94545-2778 U.S.A. • 510-732-9229 • www.davisnet.com

Welcome to Extra Solar Panel Kit

(product no. 6616)

The Extra Solar Panel Kit allows you to add a second charging panel to a Solar Power Kit (product numbers 6612 & 6614) for low light, low charging locations. The kit's weather-resistant shelter has been carefully designed to allow for the mounting of all Davis weather station consoles and Envoys. It can also be used to supply extra power to Vantage Connect. The weather resistant housing can also be used to house batteries or other field equipment.

Contents of Package



The package contains the following:

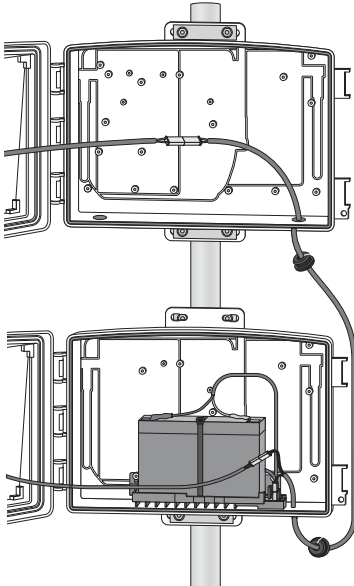
- Weather-proof shelter with solar panel
- Y-Cable
- Hardware kit (as shown)

Tools for Setup

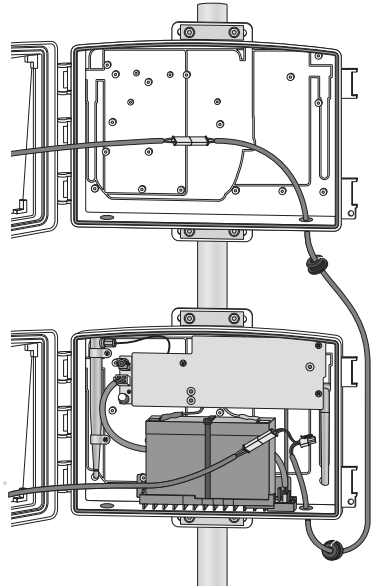
- Adjustable wrench or 7/16" wrench
- Drill and 3/16" (5 mm) drill bit (if mounting on a vertical surface)
- Phillips head screwdriver

Using the Extra Solar Panel Kit with a Solar Power Kit or Vantage Connect

In low light conditions, you may use an Extra Solar Panel Kit to provide additional solar charging to your Vantage Connect battery or Solar Power Kit battery.



Extra Solar Panel Kit with
Heavy Duty Solar Power Kit

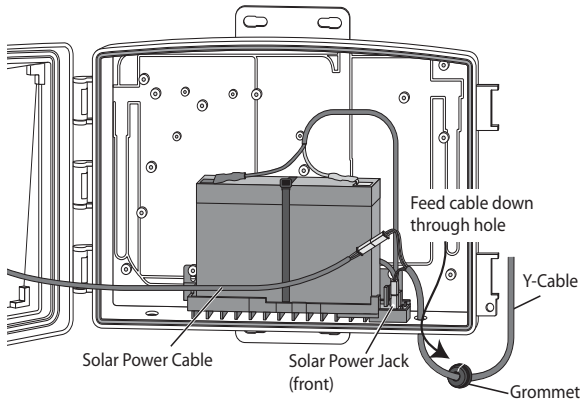


Extra Solar Panel Kit with
Vantage Connect

Note: For clarity, the solar power cable is shown in front of the battery. In use, the cable will run behind the battery. The cable running between the two shelters will also be secured to the pole.

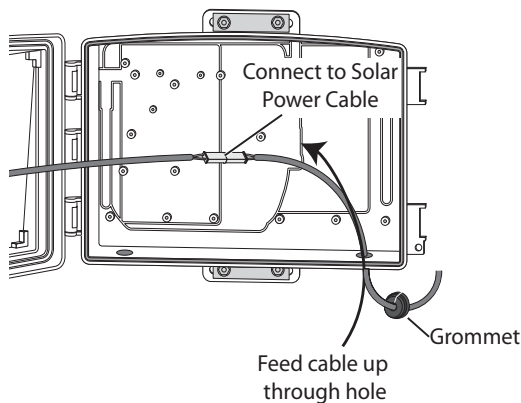
1. Mount the Solar Panel Kit or Vantage Connect and the Extra Solar Panel Kit shelters near each other. (The connecting Y-cable is 4' [1.2 m] long.)
2. Remove the plug from one of the holes in the bottom of the Solar Power Kit or Vantage Connect shelter.

- From inside the shelter, feed the single-connector end of the Y-cable down through the hole in the floor of the shelter. Outside the shelter, wrap a round-hole grommet around the cable and insert the grommet snugly into the hole.



Note: For clarity, the solar power cable is shown in front of the battery. In use, the cable will run behind the battery.

- In the Solar Power Kit or Vantage Connect shelter, unplug the solar power cable from the charger circuit's front jack and plug it into the Y-cable.
- Plug the other Y-cable connector into the solar power (front) jack. (See your *Solar Power Kit User Manual*.)
- Close and lock the Solar Power Kit or Vantage Connect shelter.
- Remove the round split grommet from one of the holes in the bottom of the Extra Solar Panel Kit shelter.
- Wrap the grommet around the single-connector end of the Y-cable. Feed the Y-cable up through the hole in the Extra Solar Panel Kit shelter floor. Insert the grommet snugly into the hole.



- Inside the Extra Solar Panel shelter, connect the single-connector on the Y-cable to the solar power cable.
- Close and lock the Extra Solar Power shelter.
- You may want to secure the cable to the pole.

Installing a console or Envoy in the shelter

For convenience, you can mount any Davis console or Envoy inside the Extra Solar Panel shelter using the included 1/2" pan head screws. Inside the shelter, outlines of the Vantage Pro2 console, Vantage Vue console, and Envoy and marked mounting holes will indicate where to mount your console or Envoy in the shelter. Since there is no battery in an Extra Solar Panel Kit shelter, you will have to run the power cable from the shelter to a power source. Use the oval and split grommets as needed.

Mounting the Shelter

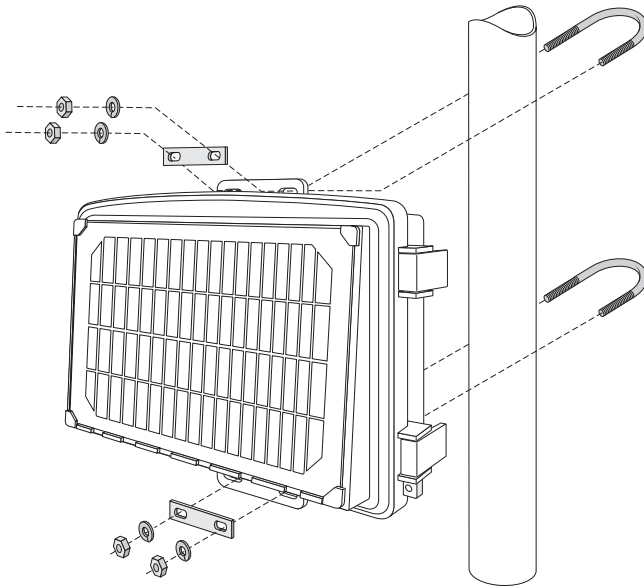
Choose a location for your shelter. It can be mounted on a pole or a flat surface such as a wall or a wooden post.

It is important that the shelter be mounted so that the solar panel gets the greatest amount of sunshine: the solar panel should be facing south (in the northern hemisphere) or north (in the southern hemisphere).

Mounting on a Pole

Mount the shelter onto a pipe with an outside diameter of 0.84" to 1.84" (21 mm to 27 mm) using the U-bolts, backing plates, washers, and hex nuts provided.

Note: For mounting on larger diameter pipes, the housing can accommodate U-bolts with 5/6" (8 mm) threads for pipes up to 2.40" (61 mm) outside diameter (not provided).

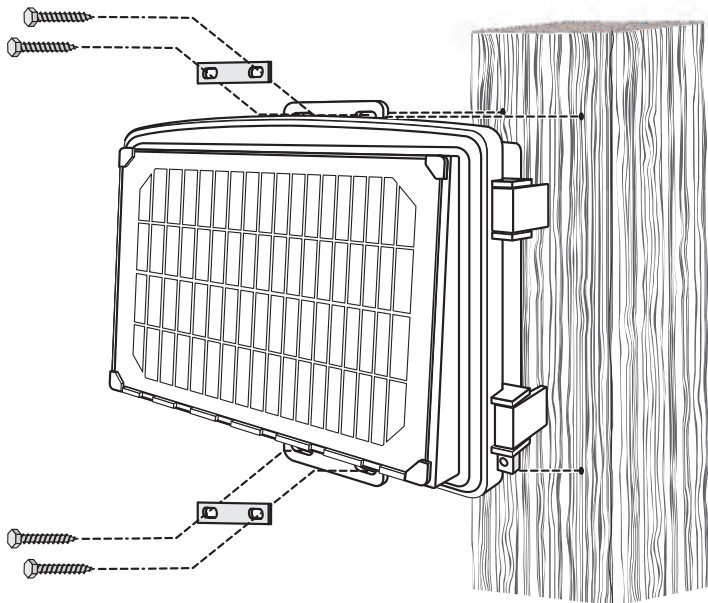


1. While holding the shelter against the pole, place a U-bolt around the pole and

-
- through the two holes at the top of the shelter.
 - Place a mounting plate over the bolt ends, then place lock washer and a hex nut on each of the bolt ends.
 - Tighten the nuts using an adjustable wrench or 7/16" wrench.
 - Place the second U-bolt around the pole and through the two holes at the bottom of the shelter. Put a backing plate, lock washer, and a hex nut on each bolt end, and tighten the hex nuts.

Mounting on a Post or Flat Surface

Attach the shelter to the mounting surface in the desired location using the large screws and backing plates as shown below. Use a pencil or a center-punch to mark the location of the pilot hole.



- With a 3/16" (5 mm) drill bit, drill two holes approximately 2" (50 mm) apart. Use a carpenter's level to ensure the holes will be level.
 - Drill two more holes 7-1/32" below the upper holes.
 - Insert the 1/4" x 1-1/2" lag screws through the flat washers and backing plate, and through the holes at the top of the shelter into the post.
 - Using an adjustable wrench or 7/16" wrench, tighten the lag screws.
- Repeat steps 3 and 4 for the bottom of shelter.

