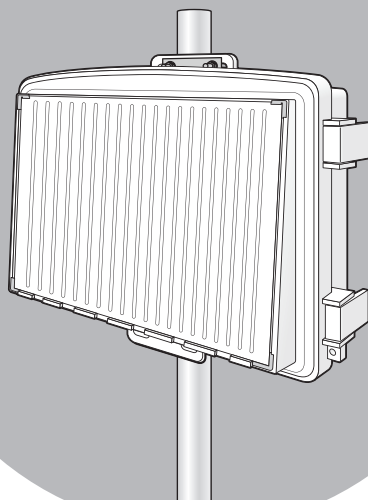


USER MANUAL

Universal Shelter



For all Davis weather consoles including Vantage Pro2™, Vantage Pro2 Plus™, Vantage Vue®, Weather Envoy and EnviroMonitor® IP Gateway

Product Number 6618



Davis Instruments, 3465 Diablo Avenue, Hayward, CA 94545-2778 U.S.A. • 510-732-9229 • www.davisinstruments.com

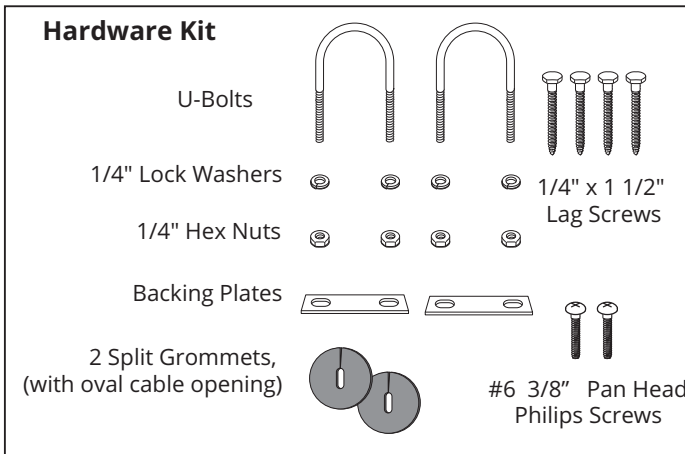
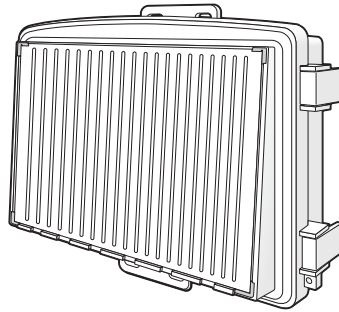
Welcome to Universal Shelter

(product no. 6618)

The Universal Shelter allows you to shelter your Vantage Pro2 or Vantage Vue console, EnviroMonitor IP Gateway, or Weather Envoy for remote or field installations. It has been carefully designed to allow for the mounting of all Davis weather station consoles and Envoys, and can be used with Solar Power Kits. The weather resistant housing can also be used to house batteries or other field equipment.

Contents of Package

Weather-Resistant Housing



The package contains the following:

- Weather-proof shelter
- Hardware kit (as shown)

Tools for Setup

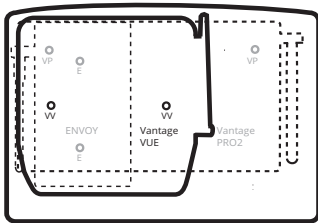
- Adjustable wrench or 7/16" wrench
- Drill and 3/16" (5 mm) drill bit (if mounting on a vertical surface)
- Phillips head screwdriver

Install the console, IP Gateway or Envoy in the shelter

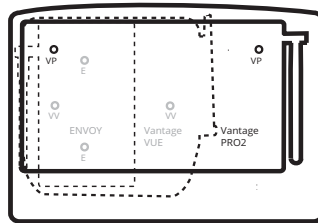
Note: You may mount the shelter before installing the device. However, it may be easier to do this at a workbench rather than in the field.

The shelter has been designed to fit Davis consoles. Inside the shelter, outlines of the Vantage Pro2 console, Vantage Vue console, and Envoy will indicate where they will be mounted in the shelter.

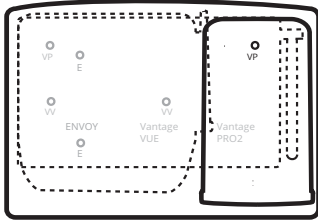
1. Before mounting a Vantage Vue console, remove the kickstand. Before mounting a Vantage Pro2 console or Envoy, point the antenna down.
2. The holes to use for mounting your console or Envoy are marked: VP2 for Vantage Pro2 console, VV for Vantage Vue console, and E for Envoy. For IP Gateway, use top Vantage Pro2 hole.



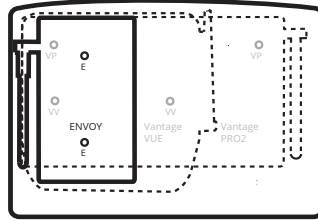
Outline and screw holes for mounting a Vantage Vue Console.



Outline and screw holes for mounting a Vantage Pro2 Console.



Outline and screw holes for mounting an EnviroMonitor IP Gateway



Outline and screw holes for mounting a Weather Envoy

3. Screw the two (one for IP Gateway) 1/2" pan head screws into the correct holes. The depth of the hole has been specifically designed so that the screw will "bottom out" at the correct depth.

Note: You may need to adjust the screw height for proper fit.

4. Using the keyhole(s) on the back of the console, Envoy, or IP Gateway, slide the device onto the screws and move it down to lock into position. (Note: use just one screw for IP Gateway.)
5. Close and lock the shelter.

Routing Cables from the Shelter

If you mount a cabled console or Envoy or IP Gateway in the shelter, or are using the shelter with a Solar Power Kit, or otherwise need to route cables from inside the shelter, follow these steps:

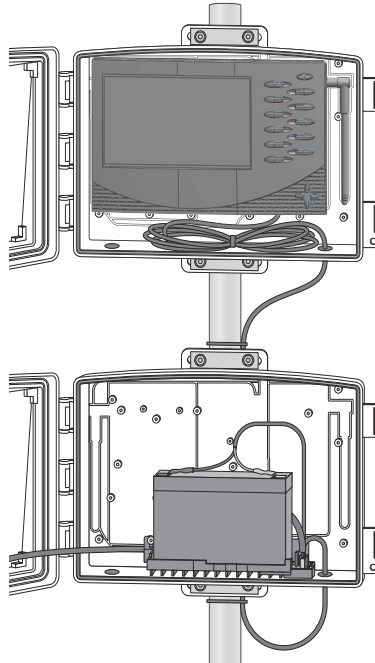
1. Remove one of the rubber plugs from the floor of the shelter.
2. Feed the cable down through the hole.
3. Outside the shelter, wrap a split grommet around the cable.
4. Push the grommet securely into the hole in the floor of the shelter.



Use oval-hole grommet with flat cables or power cable.

Using the Universal Shelter with a Solar Power Kit

For some installations, you will need both a Solar Power Kit and a Universal Shelter. For example, if you wish to power a cabled Vantage Pro2 console, you will need a Heavy Duty Solar Power Kit (#6612). However, there is not enough room in the kit's shelter for both the large battery and the console. You will need to mount your console in a Universal Shelter and connect it to the Heavy Duty Solar Power Kit.



1. Install the console in the Universal Shelter.

-
2. Remove the plug from one of the holes in the floor of the Universal Shelter. Wrap the split oval grommet around the console power cable and feed it up through the hole. Insert the grommet snugly into the hole.
 3. Plug the power cable into the console.
 4. You may want to mount the two shelters at this point, within cable-length (the console power cable that comes with the Heavy Duty Solar Power Kit is 10' [3 m] long) of each other. See Mounting the Universal Shelter (page 4). See your *Solar Power Kit User Manual* for information on installation.
 5. Remove the plug from one of the holes on the floor of the Heavy Duty Solar Power Kit shelter.
 6. Wrap a split-oval grommet around the other end of the console's power cable and feed it up through the hole in the Heavy Duty Solar Power Kit shelter. Insert the grommet snugly into the hole.
 7. Plug the power cable into the console power plug on the charging circuit.(See your *Solar Power Kit User Manual*.)
 8. Close both shelters and lock them.

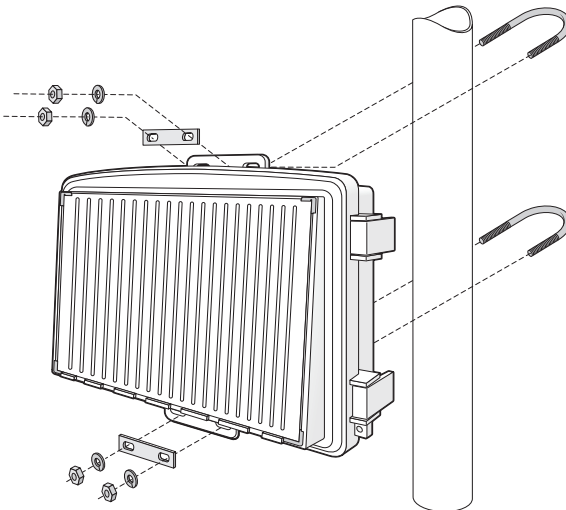
Mounting the Universal Shelter

Choose a location for your shelter. It can be mounted on a pole or a flat surface such as a wall or a wooden post.

Mounting on a Pole

Mount the shelter onto a pole or pipe with an outside diameter of 0.84" to 1.84" (21 mm to 27 mm) using the U-bolts, backing plates, washers, and hex nuts provided.

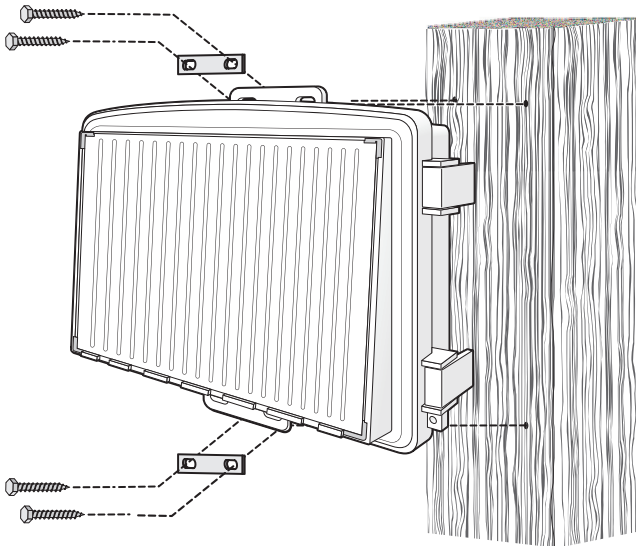
Note: For mounting on larger diameter pipes, the housing can accommodate U-bolts with 5/6" (8 mm) threads for pipes up to 2.40" (61 mm) outside diameter (not provided).



-
1. While holding the shelter against the pole, place a U-bolt around the pole and through the two holes at the top of the shelter.
 2. Place a backing plate, a washer, and a hex nut on each of the bolt ends.
 3. Tighten the nuts using an adjustable wrench or 7/16" wrench.
 4. Place the second U-bolt around the pole and through the two holes at the bottom of the shelter. Put a backing plate, a washer, and a hex nut on each bolt end, and tighten the hex nuts.

Mounting on a Post or Flat Surface

Attach the shelter to the mounting surface in the desired location using the large screws and backing plates as shown below. Use a pencil or a center-punch to mark the location of the pilot hole.



1. With a 3/16" (5 mm) drill bit, drill two holes approximately 2" (50 mm) apart. Use a carpenter's level to ensure the holes will be level.
2. Drill two more holes 7-1/32" below the upper holes.
3. Insert the 1/4" x 1-1/2" lag screws through the washers, backing plates, and through the holes at the top of the shelter into the post.
4. Using an adjustable wrench or 7/16" wrench, tighten the lag screws.
5. Repeat steps 3 and 4 for the bottom of the shelter.

